



Easy, accurate fork positioning.

APPLICATIONS

The 55H Fork Positioner saves the operator time and energy while reducing pallet and product damage. It allows the operator to accurately position the forks from the driver's seat, resulting in increased productivity.

FEATURES

Quick and easy installation

- Hang on installation
- No welding required
- Uses standard ITA 4" or 5" wide (100mm or 125mm) forks
- 36", 48" or 60" Load backrest available

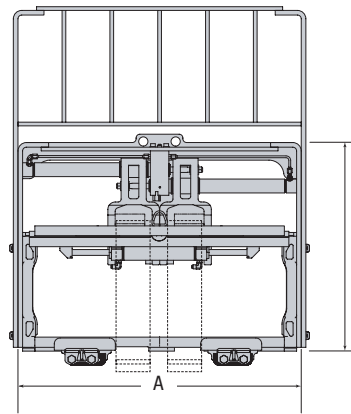
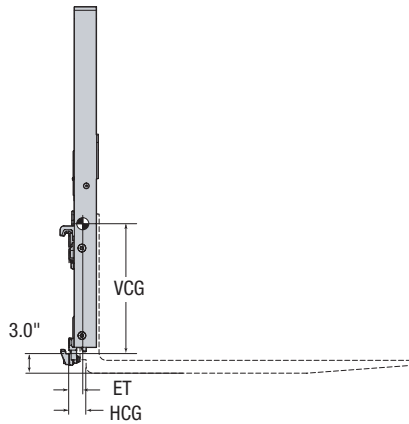
Optimized load handling

- Excellent visibility
- Fast load handling
- Reduced pallet and product damage
- Smooth, even fork travel
- Full range of fork movement
- Reduced driver fatigue



A cost-effective way to provide fork positioning capabilities on hook-type carriages.

55H FORK POSITIONER



Capacity @ 24" (600 mm) Load Center		Opening Range	Fork pocket Width ①	Catalog Order No.	Mtg. Class	Min. Truck Carriage Width	Weight		Effective Thickness	Horizontal Ctr. of Gravity	Vertical Ctr. of Gravity	Overall Width	Overall Height
lbs	kg						ITO	lbs					
With Backrest (48" height)													
5,500	2,495	2.0"-35.0"	5"	55H-FPS-A137	II	31"	335	152	2.7"	1.83"	20.54"	39.25"	29.65"
5,500	2,495	2.0"-39.0"	5"	55H-FPS-A141	II	37"	349	158	2.7"	1.83"	20.54"	43.25"	29.65"
5,500	2,495	2.0"-47.0"	5"	55H-FPS-A149	II	41"	383	174	2.7"	1.83"	20.54"	51.25"	29.65"

- ▶ Forks are not included with attachment.
- ▶ 8" total sideshift.
- ▶ **60" fork maximum length.**

① Fork Pocket: 55H adjustable to 4" wide forks—Add 2" to minimum closing range.

OPTIONS

- Non-sideshifting
- Custom load backrest height
- Customized widths

INSTALLATION KIT

Model	Catalog Order No.
Single Function	6118753
Dual Function	6118567

HYDRAULIC FLOW AND PRESSURE

Minimum	Recommended	Maximum	Max. Pressure
3 GPM	4 GPM	5 GPM	2,600 PSI/180 bar

HYDRAULIC FUNCTIONS

Model	Hydraulic Functions	Truck Auxiliary Valves Required
FPS	2	2

MOUNTING CLASS INFORMATION

Mounting Class	Truck Capacity
II	2,000-5,500 lbs.