



# Easy, accurate fork positioning.

## APPLICATIONS

Designed for any application requiring the adjustment of forks. The 150H Fork Positioner saves time and energy by allowing operator to accurately position forks from the driver's seat. Reduces pallet and product damage by offering easy, accurate fork positioning. Sideshifting capability lets operators position loads without having to maneuver large Class IV lift trucks in tight spaces.

## FEATURES

### *Quick and easy installation*

- Hang on installation
- No welding required
- Uses standard ITA, 6" wide (150mm) forks
- Load backrest integral to frame

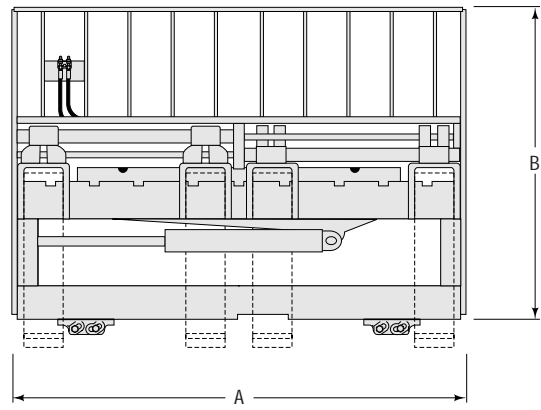
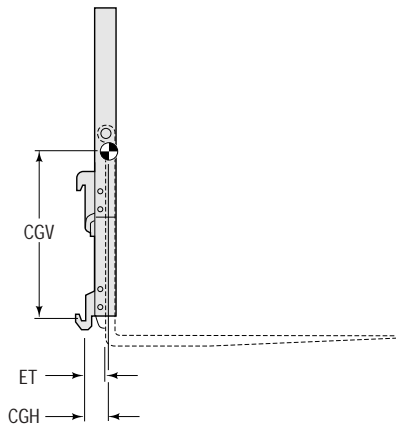
### *Optimized load handling*

- Excellent visibility
- Fast load handling
- Reduced pallet and product damage
- Smooth, even fork travel
- Full range of fork movement
- Reduced driver fatigue



A cost-effective way to provide fork positioning capabilities on Class IV, hook-type carriages.

# 150H FORK POSITIONER



Capacity @ 24" (600 mm) Load Center		Opening Range (ITO)	Catalog Order No.	Mounting Class	Weight		Min. Truck Carriage Width	Effective Thickness ET	Horizontal Ctr. of Gravity CGH	Vertical Ctr. of Gravity CGV	Overall Width A	Overall Height B
lbs	kg				lbs	kg						
15,000	6,810	4.1"-43.7"	150H-FPS-C051	IV	720	327	46"	3.3"	2.2"	21.65"	50.6"	53.5"
15,000	6,810	4.1"-55.6"	150H-FPS-C053	IV	875	397	48"	3.3"	2.2"	21.65"	62.6"	53.5"
15,000	6,810	4.1"-67.0"	150H-FPS-C055	IV	1,005	457	48"	3.3"	2.2"	21.65"	74.0"	53.5"

- ▶ Load backrest integral to frame.
- ▶ Fork width required is 6".
- ▶ 12" total sideshift.
- ▶ 96" fork maximum length. For longer forks, Consult Cascade.

## OPTIONS

- Non-sideshifting
- Custom fork width
- Custom load backrest height
- Customized widths
- Independent fork movement
- Pallet protectors
- Optional 7" and 8" fork pockets
- 16,500 lb./7,491 kg. capacity

## INSTALLATION KIT

Model	Catalog Order No.
Dual Function	218899

## HYDRAULIC FLOW AND PRESSURE

Minimum	Recommended	Maximum	Max. Pressure
3 GPM	4 GPM	5 GPM	2,600 PSI/180 bar

## HYDRAULIC FUNCTIONS

Model	Hydraulic Functions	Truck Auxiliary Valves Required
FPS	2	2

## MOUNTING CLASS INFORMATION

Mounting Class	Truck Capacity
IV	10,001-17,500 lbs.